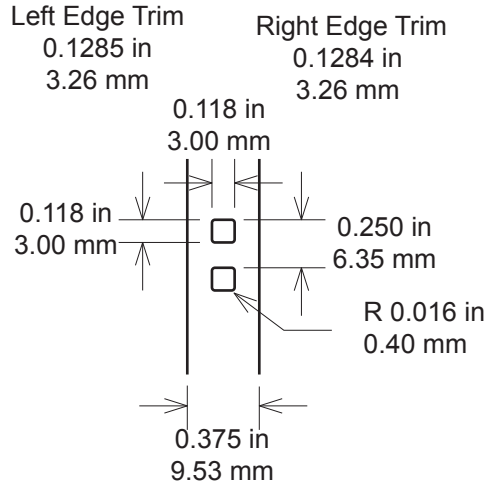


CPPL™ 103 Series

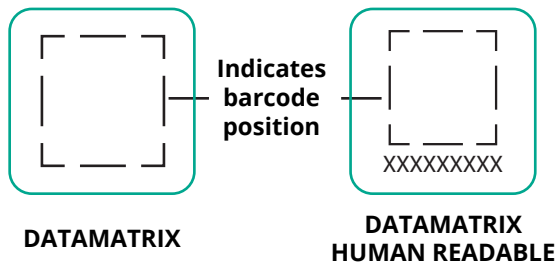
Revisions			
REV	Date	By	Description
A	01/30/18	IA	Released
A	01/30/18	PPE	Released



NOTES:

- | |
|---------------------------------------|
| (1) All labels supplied on REEL-E™ |
| (2) Standard Qty/Roll = 10,000 pieces |
| (3) 1 foot leader |
| (4) 1 foot trailer |

Type of bar code required.



Part Number	Material Description	TTRR™	USA • EU • IA • IM
CPPL-103-416FL-10	Economy gloss white polyimide	B,D	● ● ● ●
CPPL-103-403FL-10	Gloss white polyimide	B,D	● ● ● ●
CPPL-103-433FL-10	Hi-performance gloss white polyimide	CR	● ● ● ●
CPPL-103-451FL-10	ESD semi-gloss white polyimide	B,D	● ● ● ●
CPPL-103-481FL-10	Low profile gloss white polyimide	B,D	● ● ● ●

NOT TO SCALE

Proprietary - Property of IDENTCO

Standard Tolerances	Label dimension	± .010" (.254 mm)
Label tolerances are as stated unless otherwise noted.	Edge trim/web size	± .03125" (.79375 mm)



Labels for Life.

CPPL™ 103 Series

Size: 0.118" x 0.118" (3.00 mm x 3.00 mm)