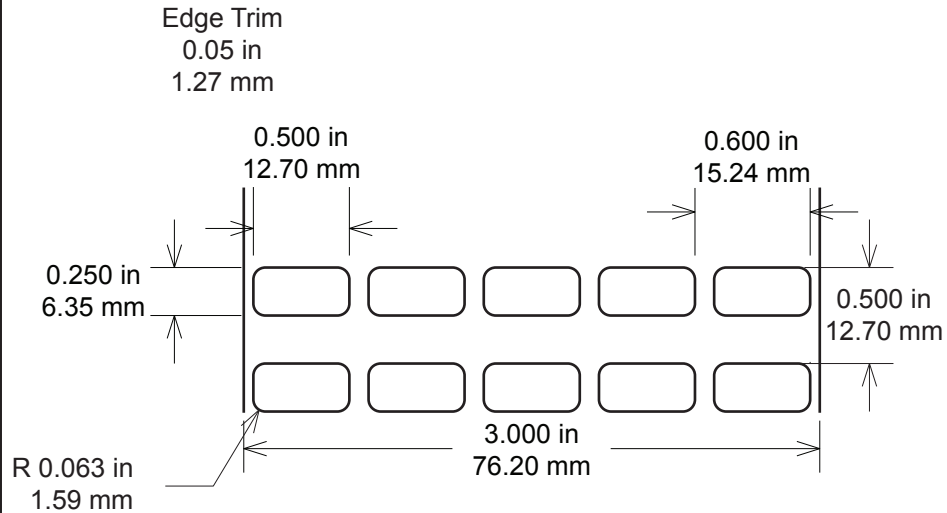


TTL™ 101 Series

Revisions

REV	Date	By	Description
A	01/30/18	IA	Released
A	01/30/18	PPE	Released



Part Number	Material Description	TTRR™	USA • EU • IA • IM
TTL-101-403-10	Gloss white polyimide	B,D	● ● ● ●
TTL-101-403GR-10	Gloss green polyimide	B,D	● ● ● ●
TTL-101-411-10	Matte tan polyimide	AK	● ● ● ●
TTL-101-416-10	Economy gloss white polyimide	B,D	● ● ●
TTL-101-417-10	Matte white polyimide	B,D	● ● ●
TTL-101-433-10	Hi-performance gloss white polyimide	CR	● ● ● ●
TTL-101-451-10	ESD semi-gloss white polyimide	B,D	● ● ● ●
TTL-101-481-10	Low profile gloss white polyimide	B,D	● ● ●
TTL-101-482-10	Low profile matte white polyimide	B,D	● ● ●
TTL-101-490-10	Gloss white polyimide	B,D	●
TTL-101-491-10	Matte white polyimide	B,D	●
TTL-101-492-10	Low profile gloss white polyimide	B,D	●
TTL-101-493-10	Low profile matte white polyimide	B,D	●
TTL-101-700-10	Gloss white polyester	B,D	● ● ● ●

NOT TO SCALE

Proprietary - Property of IDENTCO

Standard Tolerances	Label dimension	± .010" (.254 mm)
Label tolerances are as stated unless otherwise noted.	Edge trim/web size	± .03125" (.79375 mm)



Labels for Life.

TTL™ 101 Series

Size: 0.50" x 0.25" (12.70 mm x 6.35mm)