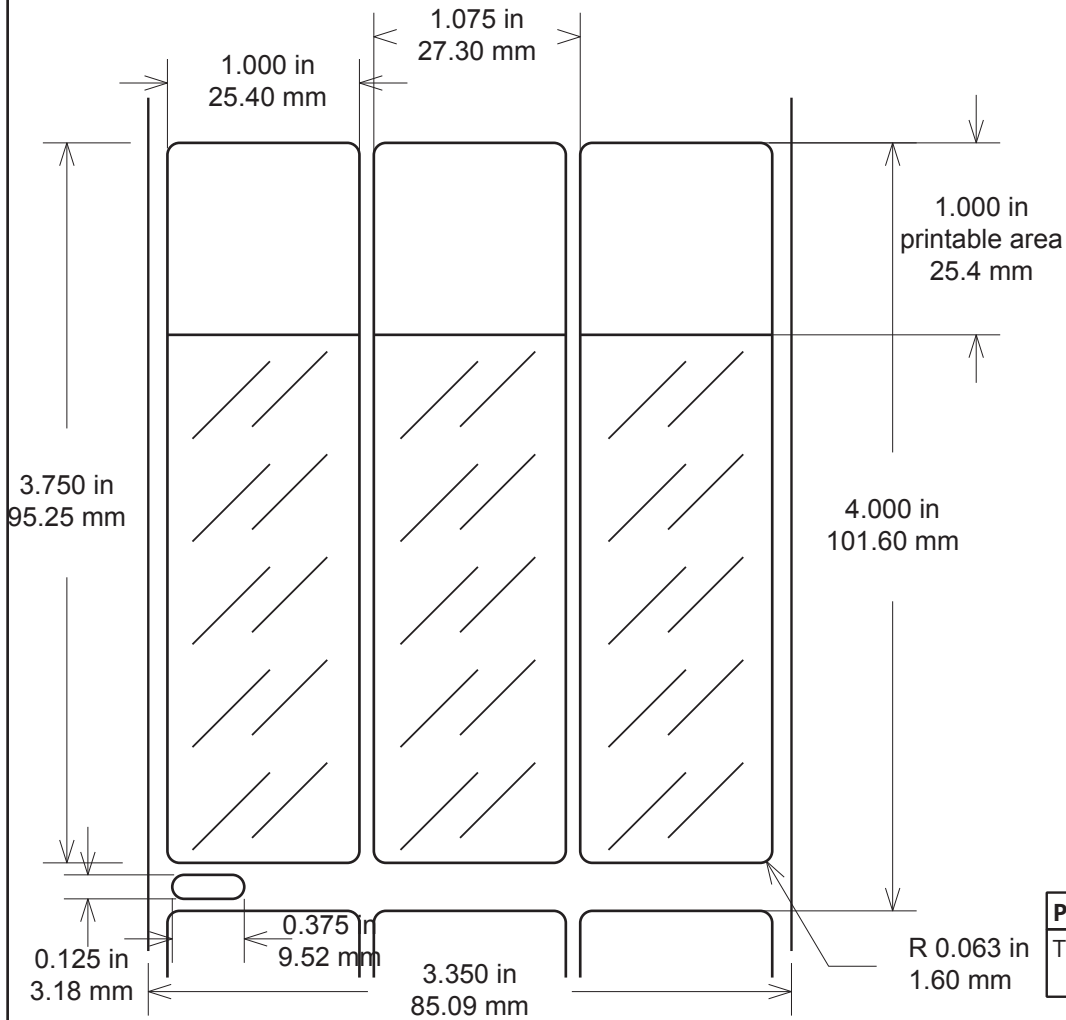


TTL™ 211 Series

Revisions			
REV	Date	By	Description
A	01/30/18	IA	Released
A	01/30/18	PPE	Released



Part Number	Material Description	TTRR™	USA • EU • IA • IM
TTL-211-727-3	Self-laminating vinyl with white thermal transfer printable area	A	● ● ● ●

NOT TO SCALE

Proprietary - Property of IDENTCO

Standard Tolerances	Label dimension	± .010" (.254 mm)
Label tolerances are as stated unless otherwise noted.	Edge trim/web size	± .03125" (.79375 mm)



Labels for Life.

TTL™ 211 Series

Size: 1.0" x 3.75" (25.4 mm x 95.25 mm)