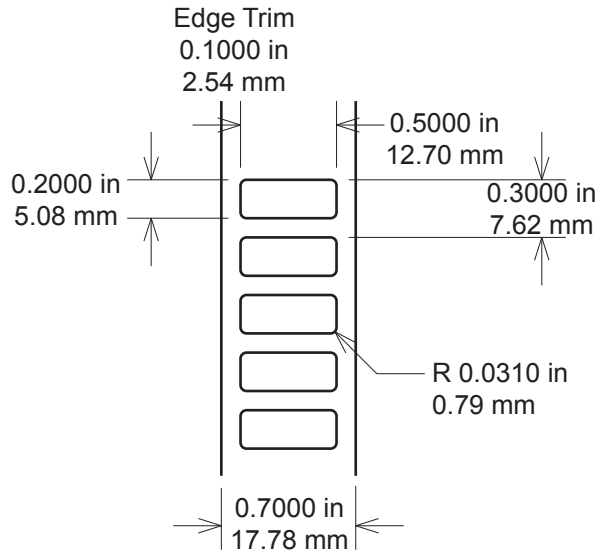


TTL™ 157 Series

Revisions			
REV	Date	By	Description
A	01/30/18	IA	Released
A	01/30/18	PPE	Released



Part Number	Material Description	TTRR™	USA • EU • IA • IM
TTL-157-403-10	Gloss white polyimide	B,D	● ● ● ●
TTL-157-411-10	Matte tan polyimide	AK	● ● ● ●
TTL-157-416-10	Economy gloss white polyimide	D	● ● ● ●
TTL-157-433-10	Hi-performance gloss white polyimide	CR	● ● ● ●
TTL-157-451-10	ESD gloss white polyimide	D	● ● ● ●
TTL-157-481-10	Low profile gloss white polyimide	CR	● ● ● ●
TTL-157-700-10	Gloss white polyester	B,D	● ● ●

NOT TO SCALE

Proprietary - Property of IDENTCO

Standard Tolerances	Label dimension	± .010" (.254 mm)
Label tolerances are as stated unless otherwise noted.	Edge trim/web size	± .03125" (.79375 mm)



Labels for Life.

TTL™ 157 Series

Size: 0.50" x 0.20" (12.70 mm x 5.08 mm)