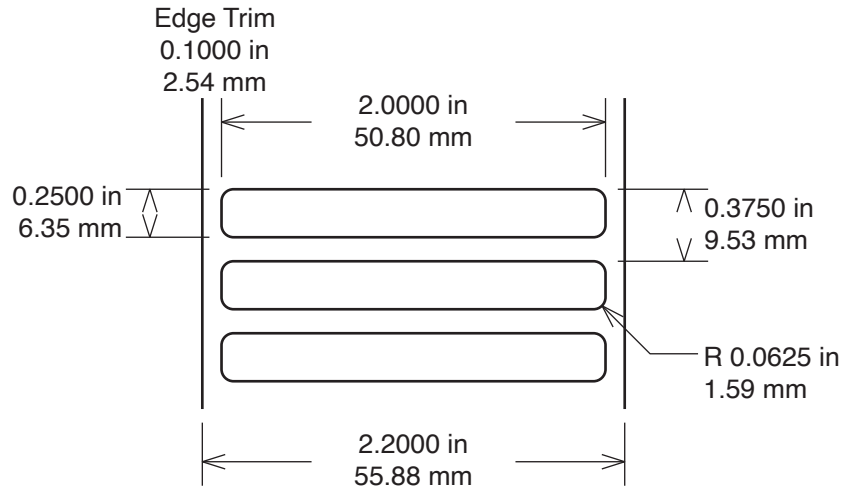


# TTL™ 160 Series

Revisions			
REV	Date	By	Description
A	01/30/18	IA	Released
A	01/30/18	PPE	Released



Part Number	Material Description	TTRR™	USA • EU • IA • IM
TTL-160-403-2.5	Gloss white polyimide	B,D	● ● ● ●
TTL-160-411-2.5	Matte tan polyimide	AK	● ● ● ●
TTL-160-416-2.5	Economy gloss white polyimide	D	● ● ● ●
TTL-160-433-2.5	Hi-performance gloss white polyimide	CR	● ● ● ●
TTL-160-451-2.5	ESD gloss white polyimide	D	● ● ● ●
TTL-160-481-2.5	Low profile gloss white polyimide	CR	● ● ● ●
TTL-160-700-2.5	Gloss white polyester	B,D	● ● ●

NOT TO SCALE

Proprietary - Property of IDENTCO

Standard Tolerances	Label dimension	± .010" (.254 mm)
Label tolerances are as stated unless otherwise noted.	Edge trim/web size	± .03125" (.79375 mm)



Labels for Life.

TTL™ 160 Series

Size: 2.00" x 0.25" (50.80 mm x 6.35 mm)