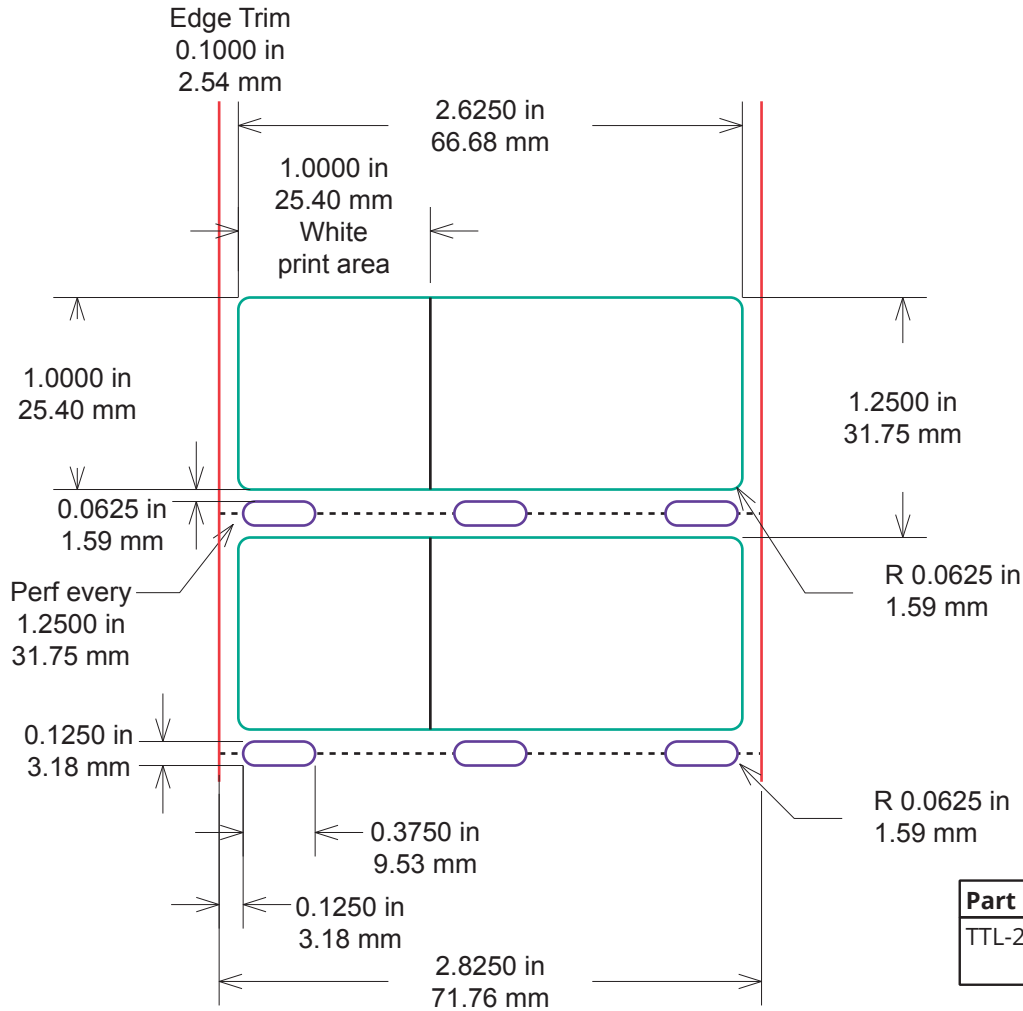


# TTL™ 230 Series

Revisions			
REV	Date	By	Description
A	04/08/19	IA	Released
A	04/08/19	PPE	Released



Part Number	Material Description	TTRR™	USA • EU • IA • IM
TTL-230-327-3	Self-laminating vinyl with white thermal transfer printable area	A	● ● ● ●

**NOT TO SCALE**

Proprietary - Property of IDENTCO

Standard Tolerances	Label dimension	± .010" (.254 mm)
Label tolerances are as stated unless otherwise noted.	Edge trim/web size	± .03125" (.79375 mm)



**Labels for Life.**

TTL™ 230 Series

Size: 2.625" x 1.00" (66.68mm x 25.40mm)