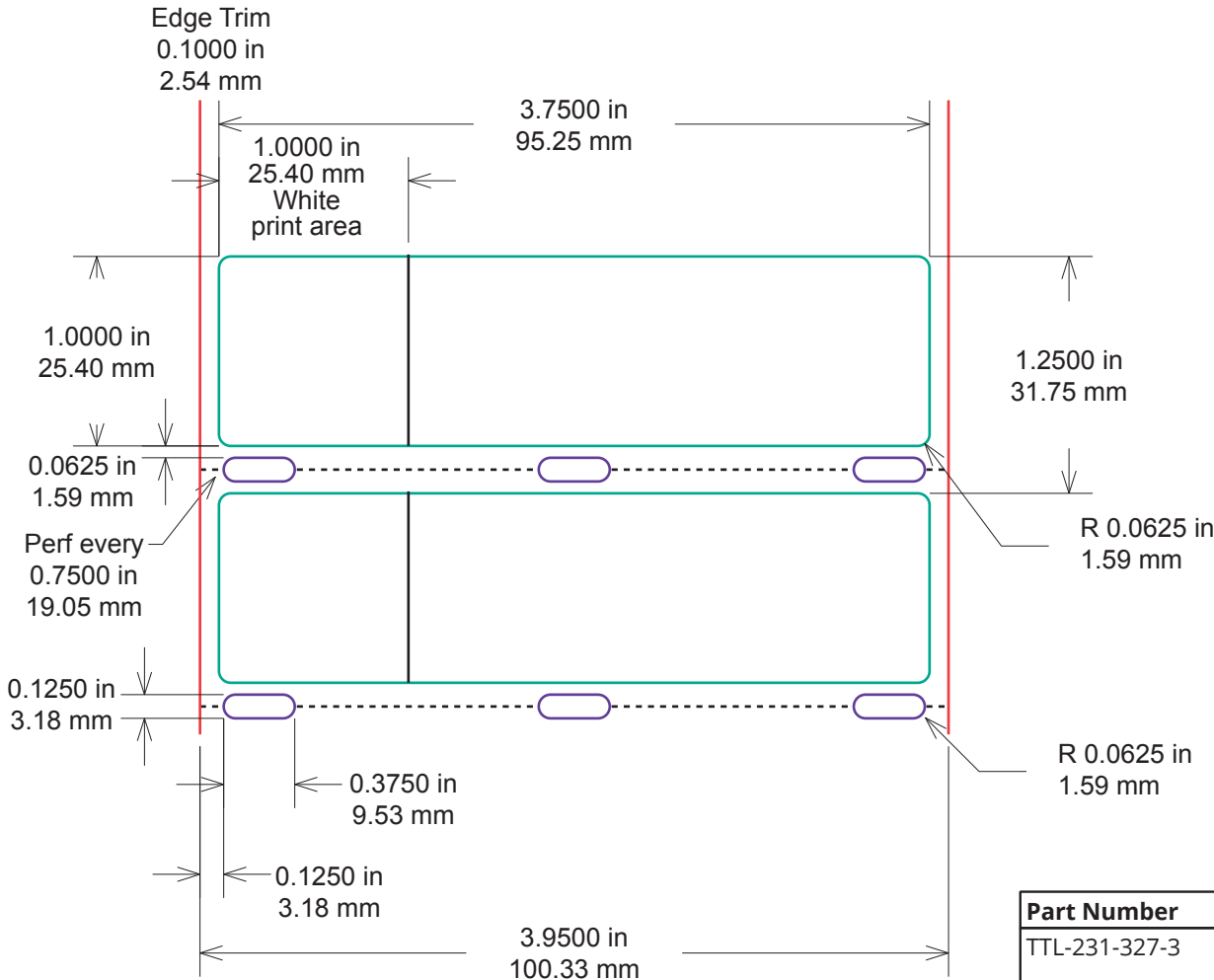


# TTL™ 231 Series

Revisions			
REV	Date	By	Description
A	04/08/19	IA	Released
A	04/08/19	PPE	Released



Part Number	Material Description	TTR™	USA • EU • IA • IM
TTL-231-327-3	Self-laminating vinyl with white thermal transfer printable area	A	• • • •

**NOT TO SCALE**

Proprietary - Property of IDENTCO

Standard Tolerances	Label dimension	± .010" (.254 mm)
Label tolerances are as stated unless otherwise noted.	Edge trim/web size	± .03125" (.79375 mm)



**Labels for Life.**

TTL™ 231 Series

Size: 3.75" x 1.00" (95.25mm x 25.40mm)