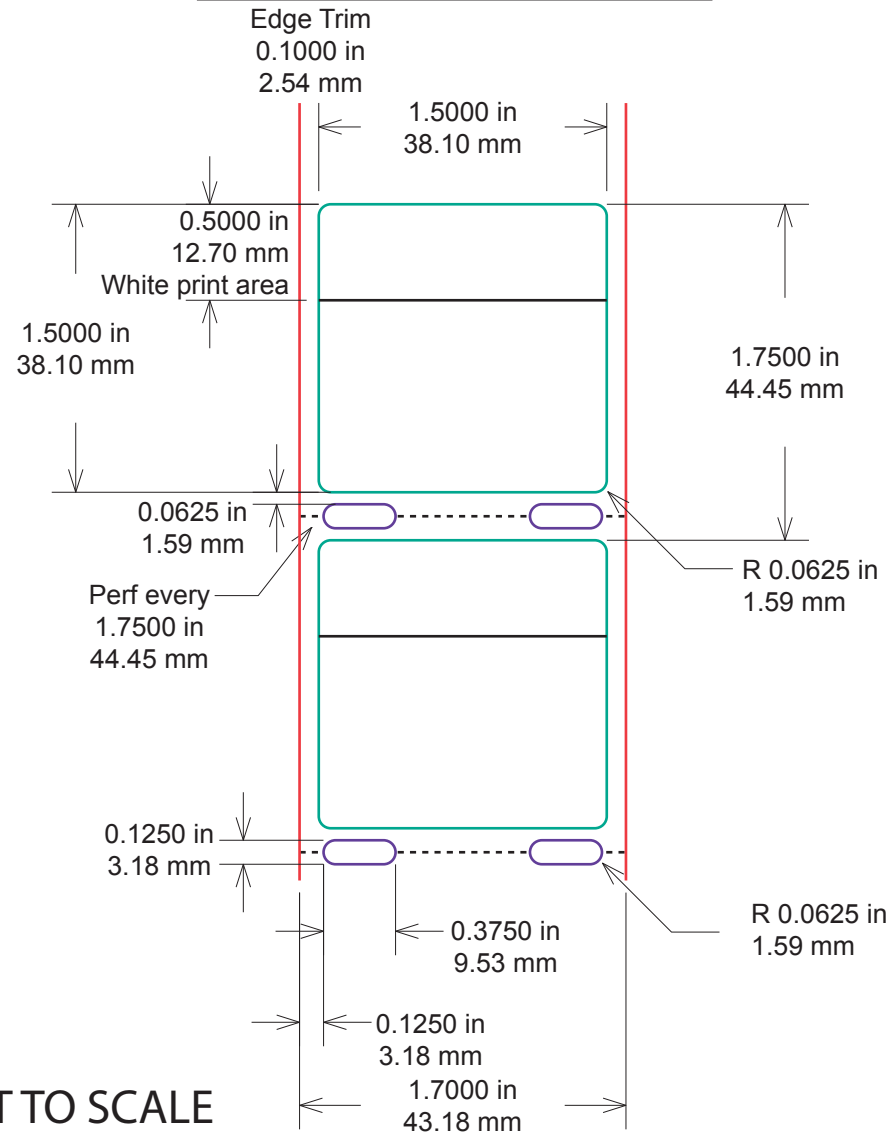


TTL™ 234 Series



NOT TO SCALE

Revisions			
REV	Date	By	Description
A	04/08/19	IA	Released
A	04/08/19	PPE	Released

Part Number	Material Description	TTRR™	USA • EU • IA • IM
TTL-234-327-2.5	Self-laminating vinyl with white thermal transfer printable area	A	● ● ● ●

Proprietary - Property of IDENTCO

Standard Tolerances	Label dimension	± .010" (.254 mm)
Label tolerances are as stated unless otherwise noted.	Edge trim/web size	± .03125" (.79375 mm)



TTL™ 234 Series

Size: 1.50" x 1.50" (38.10mm x 38.10mm)