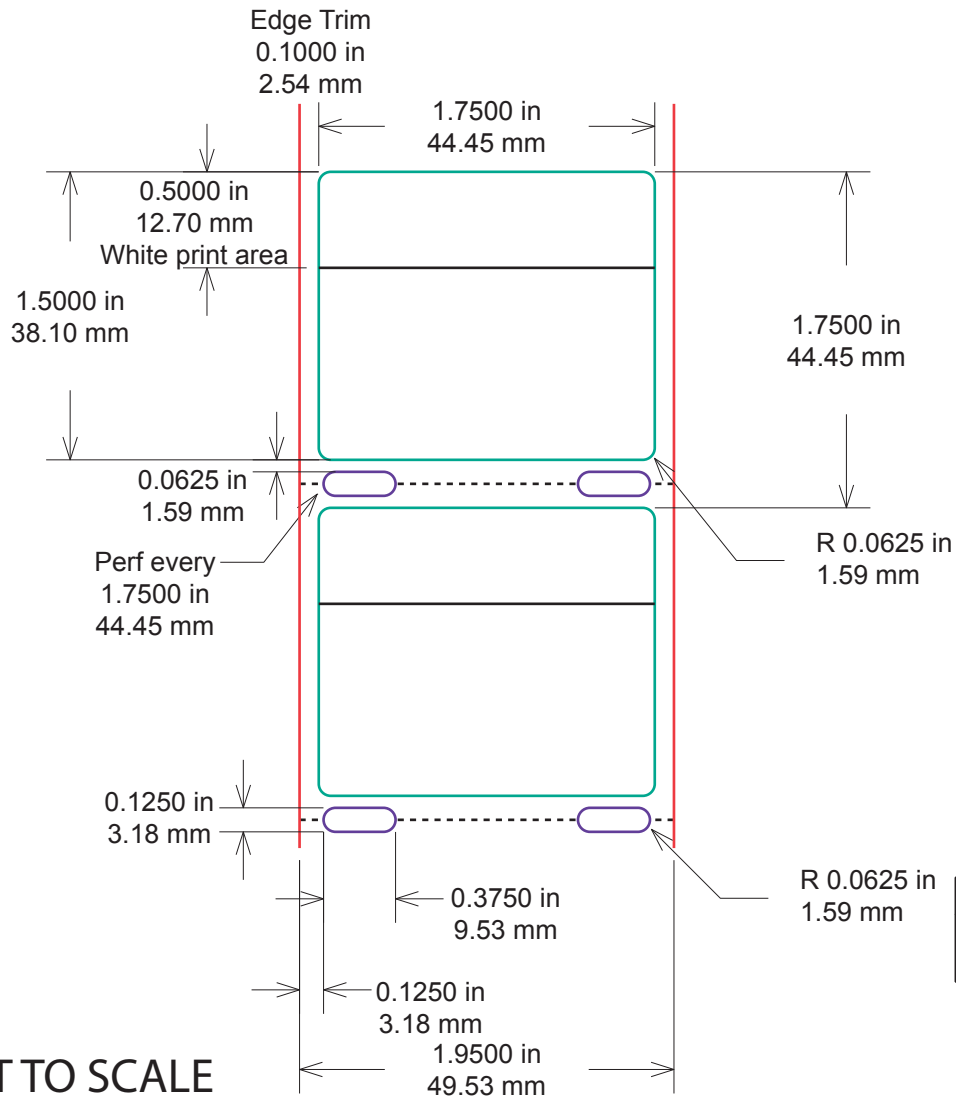


TTL™ 236 Series



NOT TO SCALE

Revisions			
REV	Date	By	Description
A	04/08/19	IA	Released
A	04/08/19	PPE	Released

Part Number	Material Description	TTRR™	USA • EU • IA • IM
TTL-236-327-2.5	Self-laminating vinyl with white thermal transfer printable area	A	● ● ● ●

Proprietary - Property of IDENTCO

Standard Tolerances	Label dimension	± .010" (.254 mm)
Label tolerances are as stated unless otherwise noted.	Edge trim/web size	± .03125" (.79375 mm)



Labels for Life.

TTL™ 236 Series

Size: 1.75" x 1.50" (44.45mm x 38.10mm)