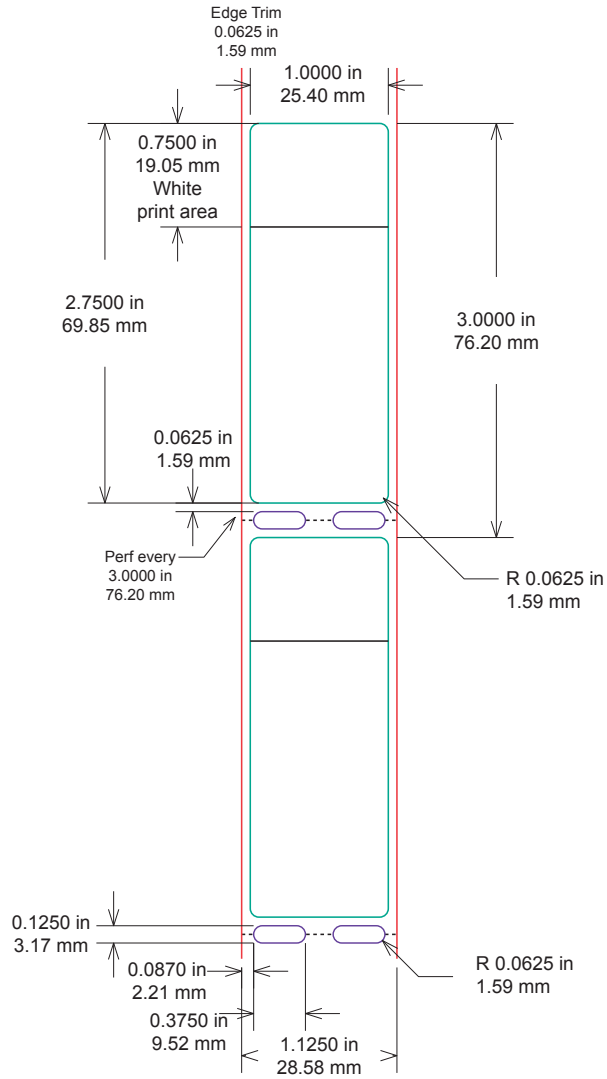


TTL™ 242 Series



NOT TO SCALE

Proprietary - Property of IDENTCO

Standard Tolerances	Label dimension	± .010" (.254 mm)
Label tolerances are as stated unless otherwise noted.	Edge trim/web size	± .03125" (.79375 mm)

Revisions

REV	Date	By	Description
A	02/12/21	IA	Released
A	02/12/21	PPE	Released

Part Number	Material Description	TTR™	USA • EU • IA • IM
TTL-242-327-0.5	Self-laminating vinyl with white thermal transfer printable area	A	● ● ● ●



Labels for Life.

TTL™ 242 Series

Size: 1.00" x 2.75" (25.40mm x 69.85mm)