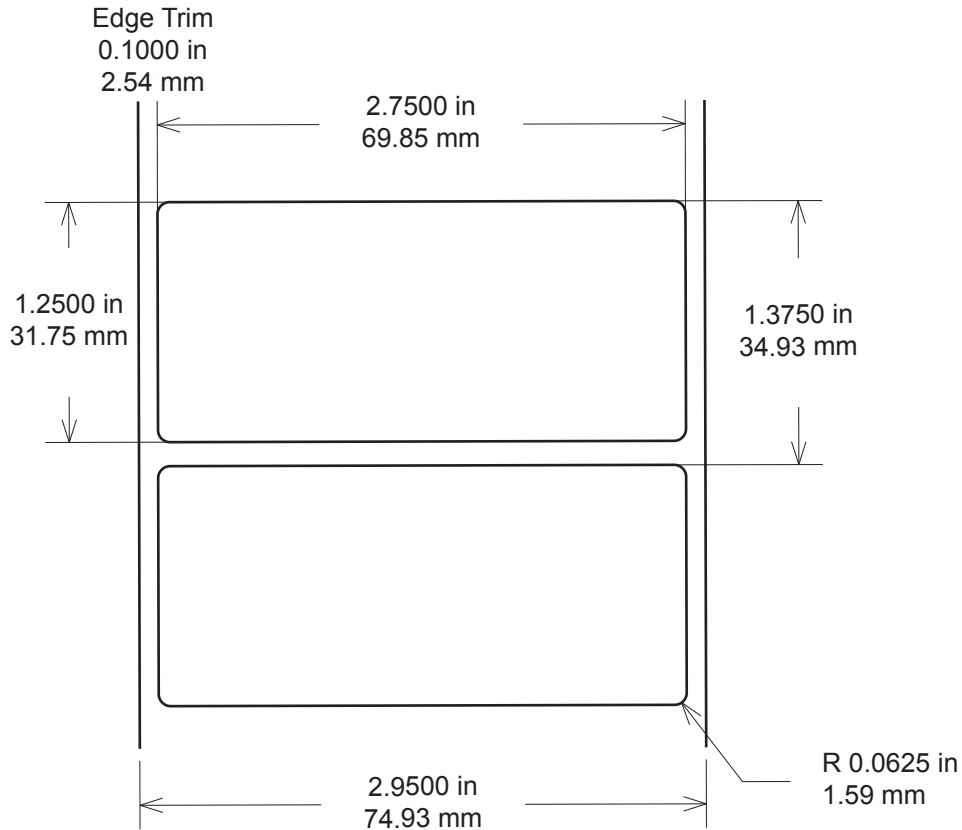


# TTL™ 305 Series

Revisions			
REV	Date	By	Description
A	09/02/20	IA	Released
A	09/02/20	PPE	Released



**NOT TO SCALE**

Part Number	Material Description	TTRR™	USA • EU • IA • IM
TTL-305-700-3	Gloss white polyester	B,D	● ● ● ●
TTL-305-730-3	Gloss silver polyester	B,D	● ● ● ●
TTL-305-748-3	Matte white polyester	B,D	● ● ● ●
TTL-305-741-3	Matte silver polyester	B,D	● ● ● ●
TTL-305-600-3	Gloss white polypropylene	B,D	● ● ● ●
TTL-305-602-3	Matte white polypropylene	B,D	● ● ● ●

Proprietary - Property of IDENTCO

Standard Tolerances	Label dimension	± .010" (.254 mm)
Label tolerances are as stated unless otherwise noted.	Edge trim/web size	± .03125" (.79375 mm)



**Labels for Life.**

TTL™ 305 Series

Size: 2.75" x 1.25" (69.85 mm x 31.75mm)