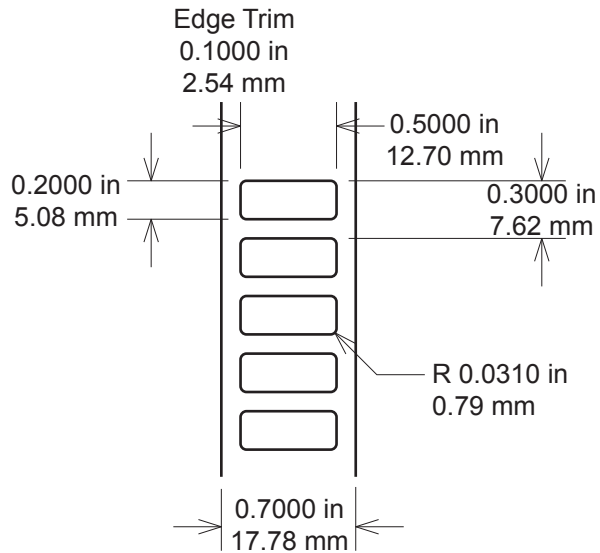


TTL™ 157 Series



| Revisions | | | |
|-----------|----------|-----|-----------------------------------|
| REV | Date | By | Description |
| A | 01/30/18 | IA | Released |
| A | 01/30/18 | PPE | Released |
| B | 02/24/23 | IA | REMOVE 417, 482 ADD 413, 748, 770 |
| B | 02/24/23 | PPE | REMOVE 417, 482 ADD 413, 748, 770 |

| Part Number | Material Description | TTRR™ | USA • EU • IM |
|-----------------|--------------------------------------|-------|---------------|
| TTL157-403-10 | Gloss white polyimide | B,D | ● ● ● |
| TTL157-403GR-10 | Gloss green polyimide | B,D | ● ● ● |
| TTL157-411-10 | Matte tan polyimide | AK | ● ● ● |
| TTL157-413-10 | Hi-performance gloss white polyimide | CR,D | ● ● ● |
| TTL157-416-10 | Economy gloss white polyimide | B,D | ● ● ● |
| TTL157-433-10 | Hi-performance gloss white polyimide | CR,D | ● ● ● |
| TTL157-451-10 | ESD semi-gloss white polyimide | B,D | ● ● ● |
| TTL157-481-10 | Low profile gloss white polyimide | B,D | ● ● ● |
| TTL157-700-10 | Gloss white polyester | B,D | ● ● ● |
| TTL157-748-10 | Matte white polyester | B,D | ● ● ● |
| TTL157-770-10 | ESD gloss white polyester | B,D | ● ● ● |

NOT TO SCALE

Proprietary - Property of IDENTCO

| | | |
|--|--------------------|-----------------------|
| Standard Tolerances | Label dimension | ± .010" (.254 mm) |
| Label tolerances are as stated unless otherwise noted. | Edge trim/web size | ± .03125" (.79375 mm) |
| | | |
| | | |



Labels for Life.

TTL™ 157 Series

Size: 0.50" x 0.20" (12.70 mm x 5.08 mm)