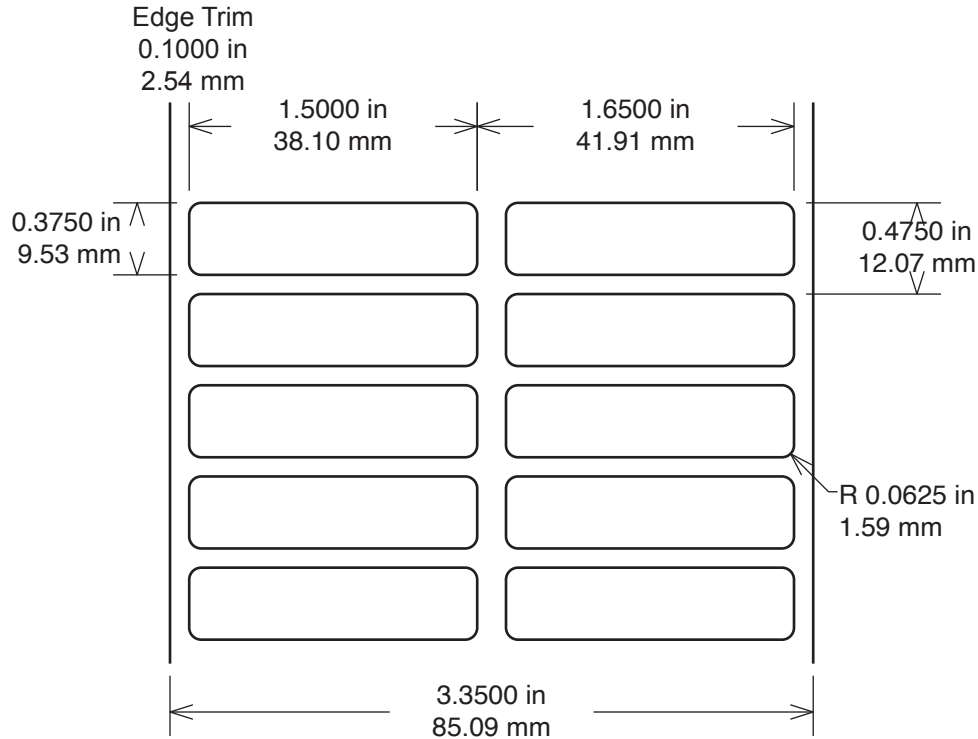


TTL™ 168 Series

Revisions			
REV	Date	By	Description
A	04/06/23	IA	Released
A	04/06/23	PPE	Released



Part Number	Material Description	TTRR™	USA • EU • IM
TTL168-403-10	Gloss white polyimide	B,D	● ● ●
TTL168-403GR-10	Gloss green polyimide	B,D	● ● ●
TTL168-411-10	Matte tan polyimide	AK	● ● ●
TTL168-413-10	Hi-performance gloss white polyimide	CR,D	● ● ●
TTL168-416-10	Economy gloss white polyimide	B,D	● ● ●
TTL168-433-10	Hi-performance gloss white polyimide	CR,D	● ● ●
TTL168-451-10	ESD semi-gloss white polyimide	B,D	● ● ●
TTL168-481-10	Low profile gloss white polyimide	B,D	● ● ●
TTL168-700-10	Gloss white polyester	B,D	● ● ●
TTL168-748-10	Matte white polyester	B,D	● ● ●
TTL168-770-10	ESD gloss white polyester	B,D	● ● ●

NOT TO SCALE

Proprietary - Property of IDENTCO

Standard Tolerances	Label dimension	± .010" (.254 mm)
Label tolerances are as stated unless otherwise noted.	Edge trim/web size	± .03125" (.79375 mm)



Labels for Life.

TTL™ 168 Series

Size: 1.50" x 0.375" (38.10 mm x 9.53 mm)